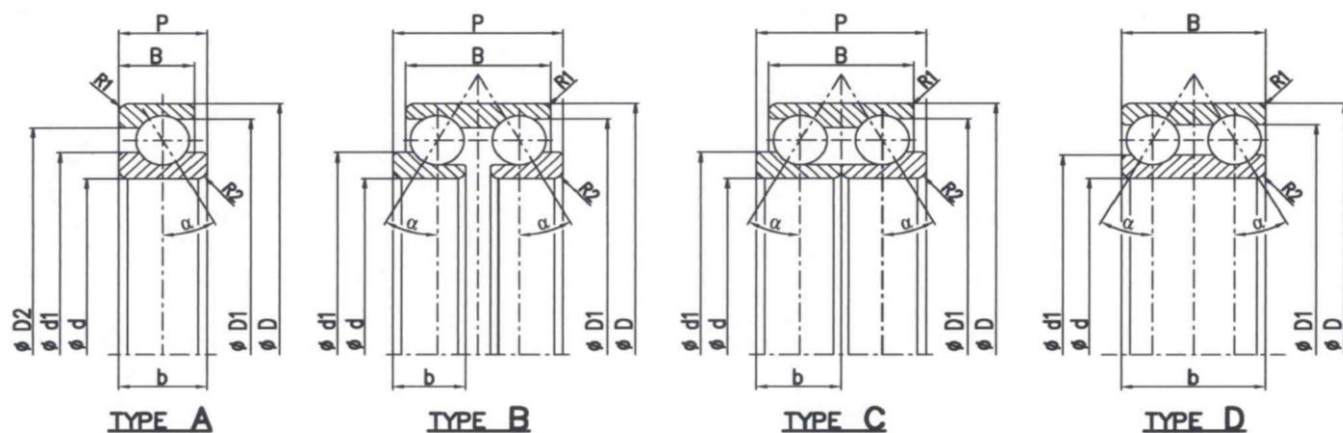


LAST UPDATE: MARCH 2015



**DO NOT USE THESE DRAFT DRAWINGS TO ORDER BEARINGS.
ASK CPM TECHNICAL SERVICE FOR DETAILED DRAWINGS
AND FOR DIFFERENT DIMENSIONS OR TYPES.**

d	D	B	b	P	D1	D2	d1	R1	R2	α	BASIC DYNAMIC LOAD RATING Cr kN	BASIC STATIC LOAD RATING Cor kN	TYPE	P / N
96,0	152,4	45,0	23,0	46,0	132,8	-	120,2	1,5	1,5	35°	47,0	63,8	C	2075
96,0	152,4	45,0	23,0	46,0	141,2	-	116,0	1,5	1,5	30°	130,1	151,0	C	2440
100,0	125,0	29,0	29,00	-	116,9	-	107,4	0,5	1,0	20°	34,8	43,8	D	2182
110,0	140,0	30,0	30,0	-	131,0	-	119,7	1,0	1,0	20°	43,0	57,0	D	2485
130,0	172,0	38,0	38,0	-	162,0	-	143,0	1,5	1,5	30°	86,7	109,8	D	2194
175,0	245,0	53,0	30,0	78,0	235,0	-	200,0	1,0	3,1	30°	300,0	435,0	B	2474
180,0	250,0	46,0	35,5	71,0	239,5	-	205,0	1,2	3,1	30°	307,0	456,0	C	2712
200,0	255,0	32,0	16,0	32,0	237,5	-	224,5	2,5	2,0	35°	70,2	132,0	C	2517
205,0	285,0	56,0	35,0	84,0	268,3	-	234,0	1,1	2,5	30°	325,0	520,0	B	2539
230,0	312,0	51,0	32,0	85,0	300,7	-	260,0	1,1	2,5	30°	395,0	670,0	B	2441
304,8	402,0	38,0	50,8	50,8	384,8	367,0	340,0	1,0	5,5	30°	304,5	487,6	A	2708
304,8	342,9	19,05	19,05	-	327,85	-	319,9	2,0	2,0	15°	39,4	89,5	D	2784
320,0	420,0	80,0	35,0	105,0	396,4	-	360,0	1,0	2,5	35°	425,0	835,0	B	2571
330,0	423,0	38,0	50,0	50,0	407,5	386,0	365,0	1,0	5,5	30°	294,0	480,0	A	2713
355,0	435,0	33,0	40,6	40,0	424,0	400,5	394,4	3,0	3,0	40°	219,0	351,0	A	4446